

ARTEMIS 2; CSS DUB-4

ASSEMBLY INSTRUCTION

May 2024 • English



Content

- 1 About this Document 4
- 2 Imprint 5
- 3 Introduction 6
- 4 Dismantling 7
- 5 DUB-4 Assembly 8

1 About this Document

Document Revision History

Version	Release	Date	Note
1.0		May 2024	First Release

2 Imprint

Copyright

© 2024 Arnold & Richter Cine Technik GmbH & Co. Betriebs KG. All rights reserved.

The device contains proprietary information of Arnold & Richter Cine Technik GmbH & Co. Betriebs KG; it is provided under a license agreement containing restrictions on use and disclosure and protected by copyright law. Reverse engineering of the software is prohibited.

No part of this publication may be used for distribution, reproduction, transmission, transcription, storage in a data retrieval system, or translated into any language in any form by any means without the prior written permission of Arnold & Richter Cine Technik GmbH & Co. Betriebs KG.

If you are downloading files from our web pages for your personal use, make sure to check for updated versions.

ARRI cannot take any liability whatsoever for downloaded files, as technical data are subject to change without notice.

Due to continued product development the information in this document may change without notice. The information and intellectual property contained herein is confidential between ARRI and the client and remains the exclusive property of ARRI. If you find any problems in the documentation, please report them to us in writing. ARRI does not warrant that this document is flawless.

For Further Assistance

Arnold & Richter Cine Technik GmbH & Co. Betriebs KG

Herbert-Bayer-Straße 10

D-80807 München

Germany

Email: service@arri.de

Website: www.arri.com

Initial Language

The initial language of this user manual is English. User manuals in other languages are translations from English.

Original version.

3 Introduction

K2.0048797 - DUB-4 Dovetail Utility Base 4

The DUB-4 Dovetail Utility Base 4 is an alternative dovetail clamp mechanism for the top stage for ARTEMIS 2. The ARTEMIS 2 top stage uses the SAM plates by default. However, if the ARTEMIS 2 owner or operator prefers to continue using the old and slightly wider dovetail plates, he or she can convert the top stage of the ARTEMIS 2 to the old system using the DUB-4 Dovetail Utility Base 4.

HINT

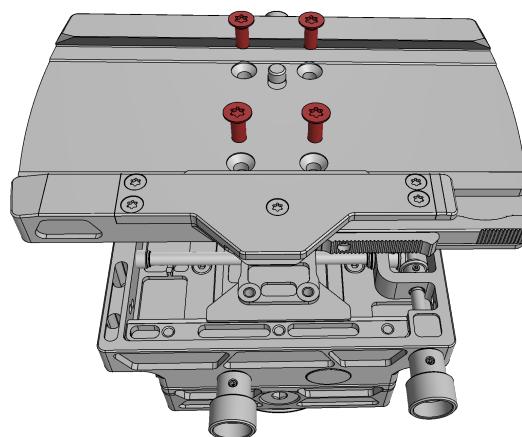
Tools

Special tools are not required. This means that the customer can also perform this upgrade. You only need a T20 Torx screwdriver.

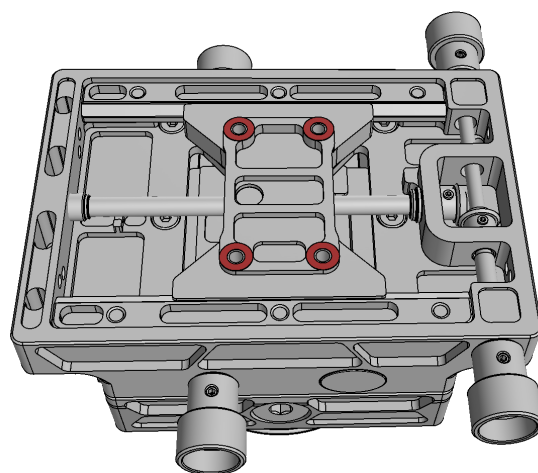


4 Dismantling

1. To remove the four Torx counter-sink screws, use the short side of the T20 Torx screwdriver. The SAM plates clamping stage (DUB-3) can be removed after all four screws have been removed.

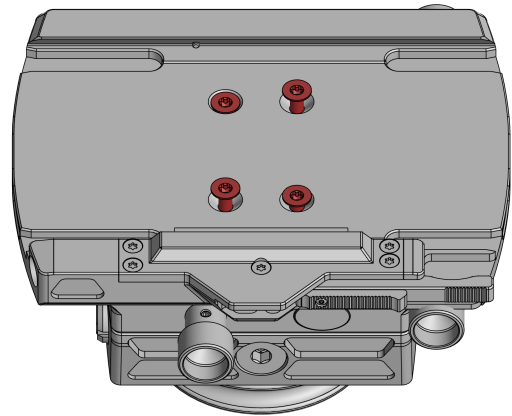


2. Please make sure that the four washers remain in their previous positions.

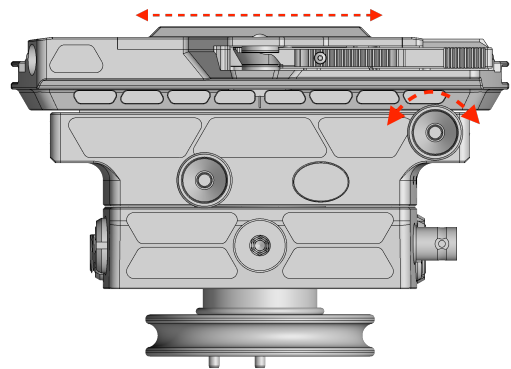


5 DUB-4 Assembly

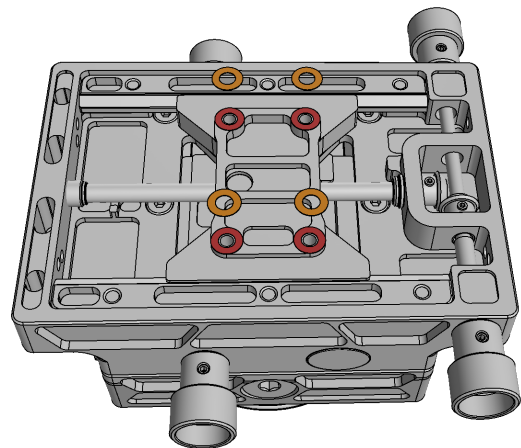
1. Place the DUB-4 and note the position of the clamping lever.
2. Then place the four screws and tighten them crosswise.



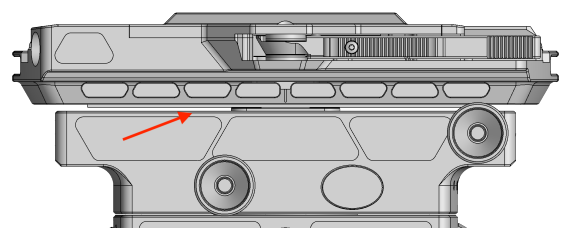
3. After all four screws have been tightened again, check the fore and aft mobility of the DUB-4. Simply turn the knurled knob to the left and right. You should feel the same amount of friction as you are already used to with the SAM plates clamping stage (DUB-3) with the new DUB-4.



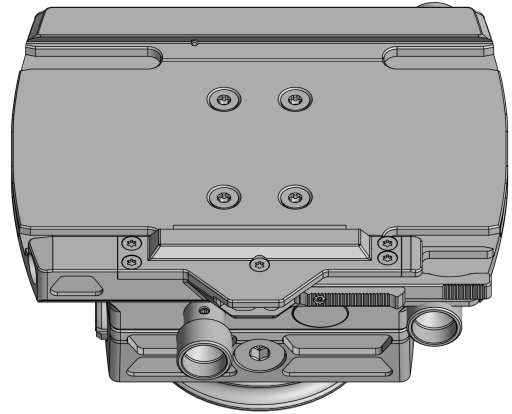
4. If the friction is too high, i. e. if you have difficulty performing the fore and aft movement smoothly, then additional shims must be fitted. To achieve this, the DUB-4 must be removed once again.



5. If a gap is visible, then you have added too many washers. You will also no longer feel any friction when you move the stage fore and aft. The number of washers must therefore be reduced.



6. Finally, make sure that all four screws are tightened evenly.



ARRI 