

CODEX

USER GUIDE

CLEANING MEDIA AND MEDIA STATIONS

DOCUMENT VERSION 2020.06.04_1.0



CLEANING CODEX MEDIA AND MEDIA STATIONS

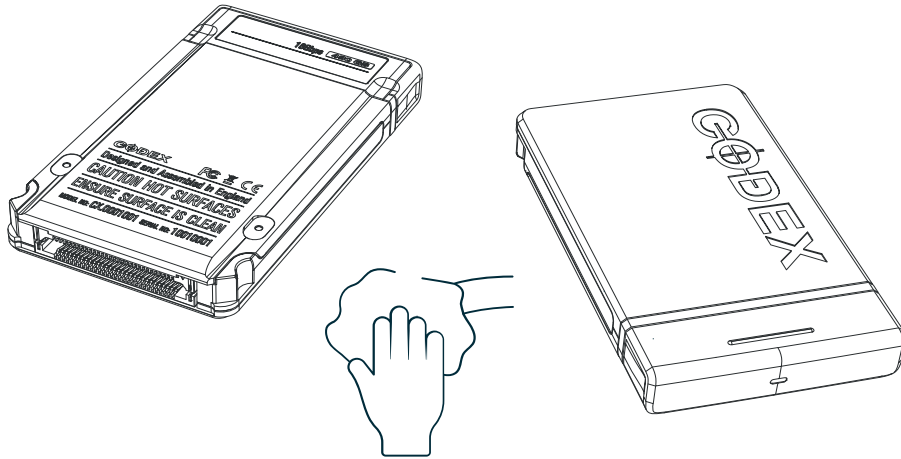
CODEX recommends the following guidance for cleaning CODEX Media and Media Stations.

MEDIA

Drive Casework

Compact Drive CX.0001002, SXR Capture Drive CDX-37018, CDX-37019, CDX-37020, CDX-37021, XR Capture Drive CDX-3730.

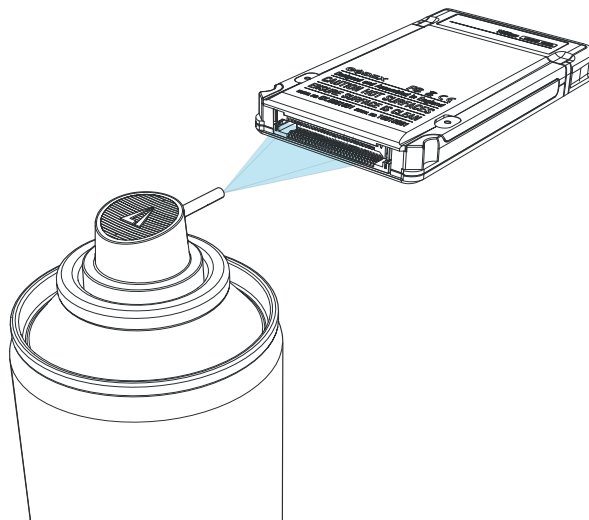
Clean all outer case work with 70% IPA lint-free wipes. Wipe gently, especially over any serial labels.



Drive Connectors

Compact Drive CX.0001002, SXR Capture Drive CDX-37018, CDX-37019, CDX-37020, CDX-37021, XR Capture Drive CDX-3730.

For cleaning the connector we recommend using an air duster only to avoid damage to connector pins. If a cleaning solvent is required, then please apply 70% IPA to a soft brush before gently cleaning the connector pins. Allow to air dry thoroughly before loading the media into a camera or reader.



Adapters

Compact Drive Adapter CX.0001009

Clean all outer case work with 70% IPA lint-free wipes. Wipe gently, especially over any serial labels.

MEDIA STATIONS

Compact Drive Reader USB-C CX.0001005

Clean all outer case work with 70% IPA lint-free wipes. Wipe gently, especially over any serial labels.

Compact Drive Dock TB3 CX.0001007 and SXR Capture Drive Dock TB2/TB3 CDX-75013, CDX-75014, CDX-75013-1

Clean all outer case work with 70% IPA lint-free wipes. Wipe gently. Extensive rubbing could cause deterioration of paintwork.

XR Capture Drive Dock CDX-7510, CDX-7513, CDX-75002

Clean all outer case work with 70% IPA lint-free wipes. Wipe gently. Extensive rubbing could cause deterioration of paintwork.

POWER SUPPLIES AND CABLES

PSU Plastic Casing

Disconnect the PSU from any power source. Clean the plastic casing with 70% IPA lint-free wipes. Wipe gently, especially over any serial labels.

PSU Cables

Disconnect from any power source. Clean only with a cloth dampened with water and mild detergent. Some cable materials may be adversely affected by IPA. Dry thoroughly with a disposable hand towel. Never submerge cables in any liquids.

Ensure no water enters the PSU cable connectors. If you are concerned that water has entered:

- Seek a replacement.
- To dry the cables please leave in a warm dry place for a minimum of 2 days.

Ensure cables are fully dried before use.

Thunderbolt and USB cables

Clean only with a cloth dampened with water and mild detergent. Some cable materials may be adversely affected by IPA. Dry thoroughly with a disposable hand towel.

Never submerge cables in any liquids.

Ensure no water enters the cable connectors. If you are concerned that water has entered:

- Seek a replacement.
- To dry the cables please leave in a warm dry place for a minimum of 2 days.

Ensure cables are fully dried before use.

IMPORTANT INFORMATION

70% IPA lint-free wipes contain Isopropyl Alcohol. Please ensure that all instructions and safety guidelines provided with the wipes are followed.

Any applicable local legislation or regulations relating to the use of chemicals should be strictly observed and applied as required by law.

Disclaimer

CODEX products are continually developed to remain at the forefront of the industry, and as such the information in this guide is subject to change without notice. Whilst CODEX endeavours to ensure that all documentation provided is correct at the time of writing, this document is not guaranteed to be error-free. CODEX does not assume responsibility for issues or losses due to misinterpretation of the information in this document, errors in this document, or incorrect configuration or installation of the equipment described herein. CODEX reserve the right to alter the specification at any time and without prior notice. © Copyright CODEX 2020.

Please report any errors found in this document to support@codex.online